

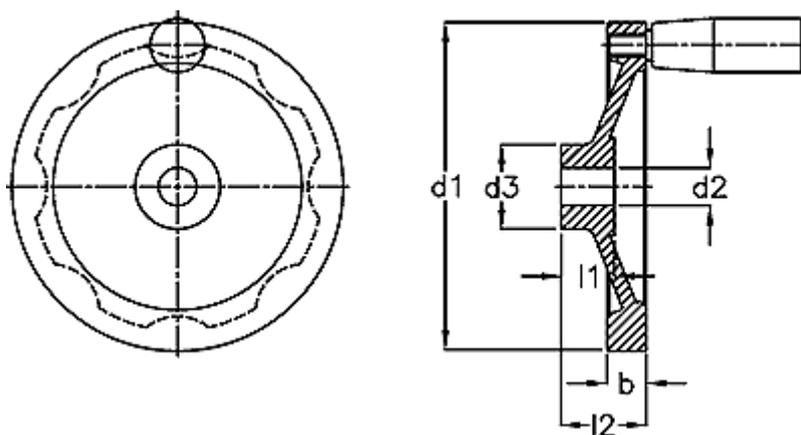
Data Sheet



Article number: 20348314

Description: E+G Handwheel
GN 321.5-160-K14-D-ZI

Measures



b	= 21
d1	= 160
d2 H7	= 14
d3	= 33
l1	= 20
l2	= 48.0